



# Eswood

# Professional

# Warewasher

**B42PN**

Professional Undercounter Warewasher



# Eswood

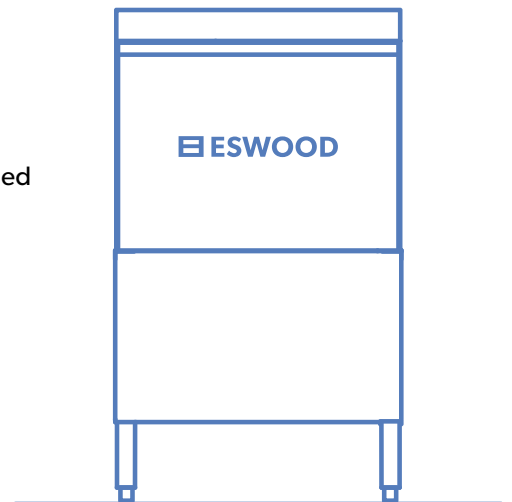
## Recirculating Undercounter Warewasher

B42PN is a compact recirculating undercounter dishwasher. It has fully automatic operation with a simple 'start' button after selecting the wash cycle.

Upper and lower wash arms with multiple jets has been designed to ensure maximum wash and rinse coverage. The boost heater is thermostatically controlled and interlocked to machine operation to ensure correct sanitising every time.

All new digital wash & rinse temperature displays for easy temperature recording in controlled environments. Drain pump, detergent pump and rinse aid injector fitted as standard.

The B42PN conforms to the highest of health and sanitary standards, meeting FSANZ safe food codes and certifications in HACCP and WaterMark.





---

Up to 1200 pieces per hour

---

Durable stainless-steel body construction and wash arms

---

Accurate digital wash and rinse temperature controllers and displays

---

Integrated drain pump as standard

---

Detergent pump and rinse aid injector as standard

---

---

Safety cut-off fitted to door

---

3 Wash programs to match degree of soil

---

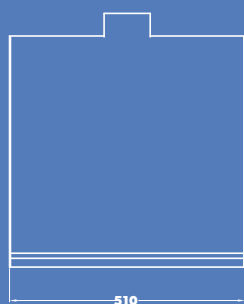
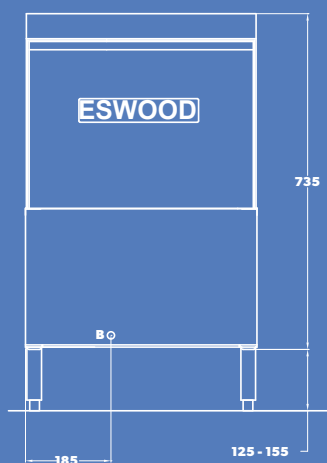
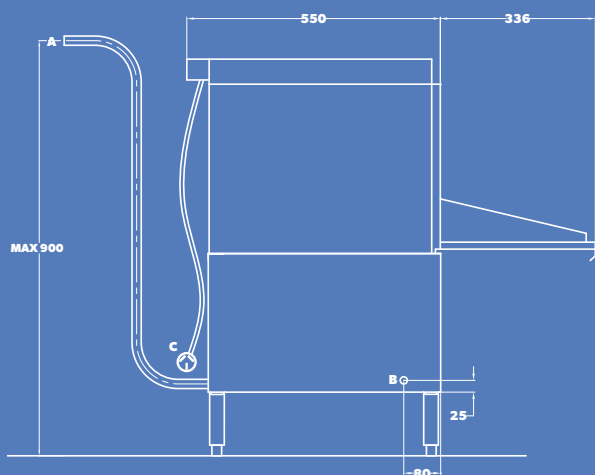
Easily removable spray arms and filters

---

Supplied with 400 x 400 (14" x 14") flat rack, plate/saucer support and cutlery basket

---

- A. Drain connection 25mm OD x 20mm ID at 1.8m drain hose
- B. Hot Water Connection 3/4" BSP x 1.5m braided hose
- C. Electrical connection 2m 15A plug



# B42PN

## Professional Undercounter Warewasher

### B42PN Specifications

|                             |                             |
|-----------------------------|-----------------------------|
| <b>DIMENSIONS (WxDxH)</b>   | 510 x 550 x 875 mm          |
| <b>DEPTH WITH DOOR OPEN</b> | 890 mm                      |
| <b>RACK SIZE (WxD)</b>      | 400 x 400 mm                |
| <b>WEIGHT</b>               | 50 kg                       |
| <b>ELECTRIC CONNECTION</b>  | 15A Single Phase, 240V      |
| <b>RATING</b>               | 3.4 kW                      |
| <b>WATER SUPPLY</b>         | 65°C / 2-4 bar (28-58 psi)  |
| <b>PACKED</b>               | 0.2 m <sup>3</sup>          |
| <b>MEAL SERVICE</b>         | 30 light meals              |
| <b>WASH CYCLE</b>           | 60 sec<br>90 sec<br>120 sec |
| <b>DETERGENT PUMP</b>       | Fitted                      |
| <b>RINSE AID INJECTOR</b>   | Fitted                      |
| <b>DRAIN PUMP</b>           | Fitted                      |
| <b>WATER CONSUMPTION</b>    | 3L cycle                    |
| <b>TANK CAPACITY</b>        | 13L                         |
| <b>WATERMARK APPROVAL</b>   | WM-022833                   |
| <b>HACCP APPROVAL</b>       | PE-388-GE-09                |

Dimensions may change without notice in accordance with product development and design

Proudly Distributed By

**eswood.com.au**

211-217 Woodpark Road SMITHFIELD NSW 2164

T: 1800 013 123

E: sales@middleby.com.au